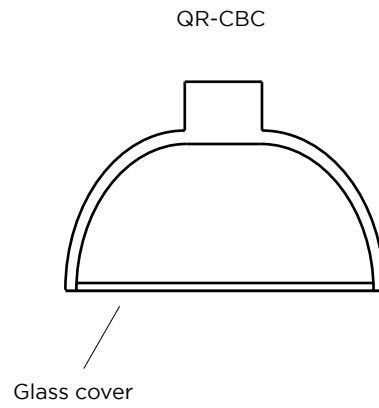
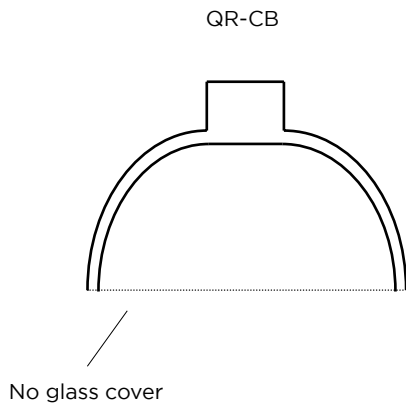


Good to *know*

When using the older catalogues, it can happen that the QR-CB lamp is used or suggested with some fixtures.
For safety issues, we recommend using the QR-CBC lamp instead.



WHEN EXPLODES...

